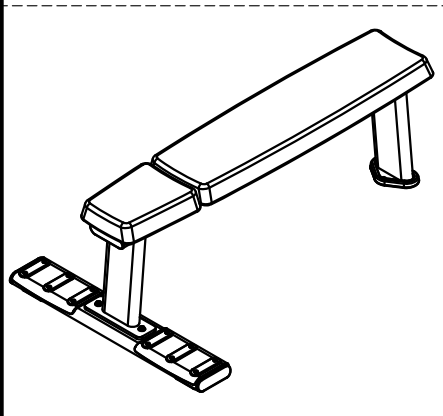
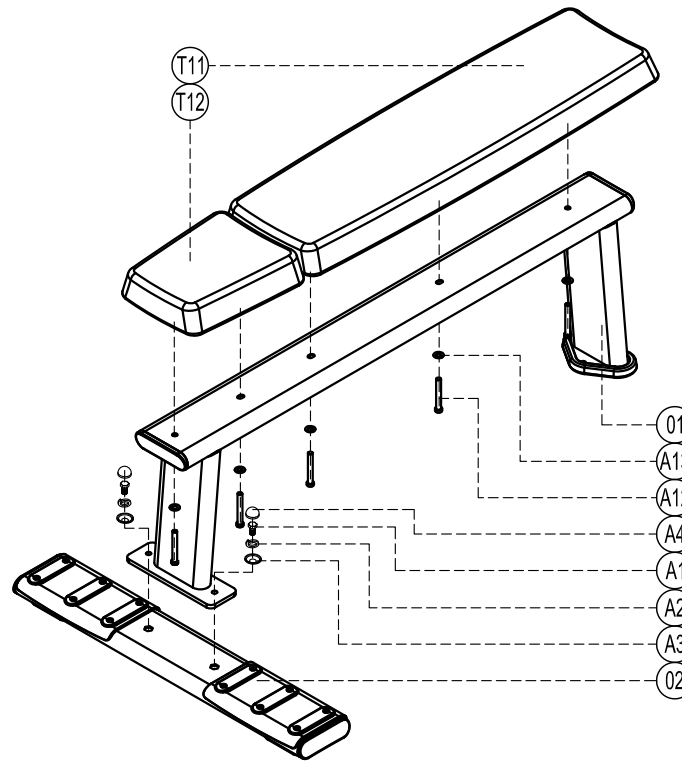


Exploded

E7036 Flat Bench



please note :parts didn't demolitionde part and fast eners not listde on the introduction

A13	Flat washer $\phi 8.3 * \phi 20 * T1.5$	5
A12	Cup head inner hex screw M8*70	5
A4	Gasket DQ003	2
A3	Screw cap S208	2
A2	Spring washer $\phi 12$	2
A1	Outside hex screw M12*35	2
T12	Upholstery	1
T11	Backrest	1
02	Bottom frame	1
01	Main frame	1
Number	Name	Quantity